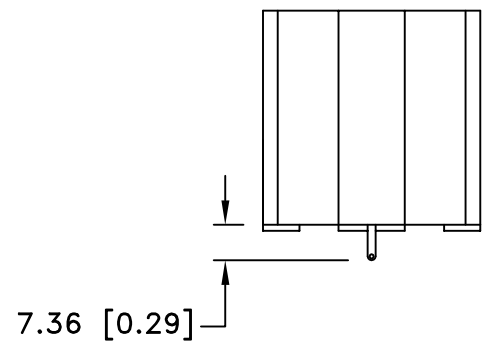
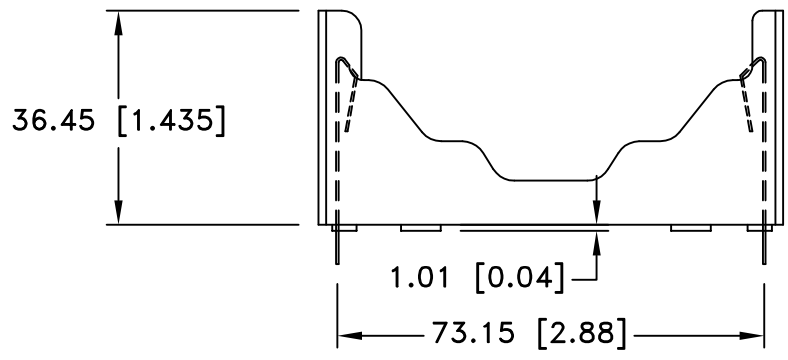
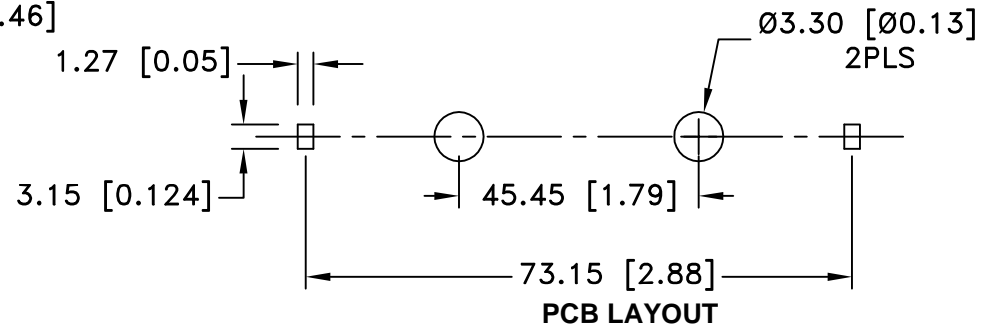
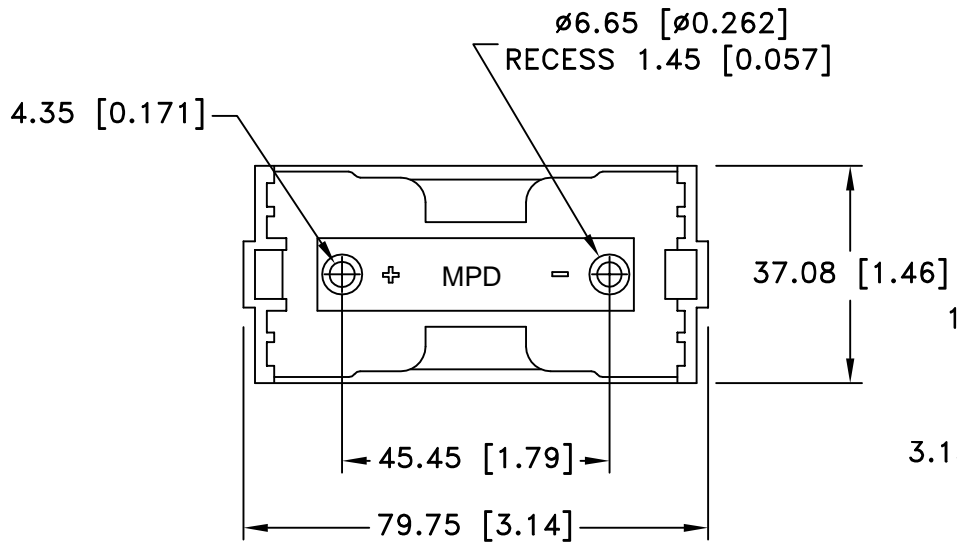



Date	SYM	REVISION RECORD	AUTH	DR.	CK.



NOTES:
MATERIAL:
 Holder: PBT, 30% Glass, Black, UL94V-0
 Contacts: 302 Stn. Stl., Spring temper, Nickel Plated Overall
 Vibration Test: 10-50-10 Hz swept in 60 seconds
 X,Y,Z direction: 1 hour each direction, No dislodgement of the cell or damage, No discontinuity over 10 micro-seconds
 Shock Test: Half sine wave acceleration 150g. 6 micro-seconds, 1 shock pulses each direction per axis, total of 6 pulses,
 No evidence of physical damage
ROHS COMPLIANT

Tolerance (Except as noted)	 Memory Protection Devices, Inc 200 Broad Hollow Road, Farmingdale, New York 11735	Scale	Drawn By B.S.
			Approved By T.B.
decimal $\pm .5 (.020)$	Title D HOLDER	Date 1/13/07	
Fractional $\pm .8 (.030)$		Drawing Number BHD-2	
Angular $\pm 3^\circ$	Date 1/13/07		
		Drawing Number BHD-2	